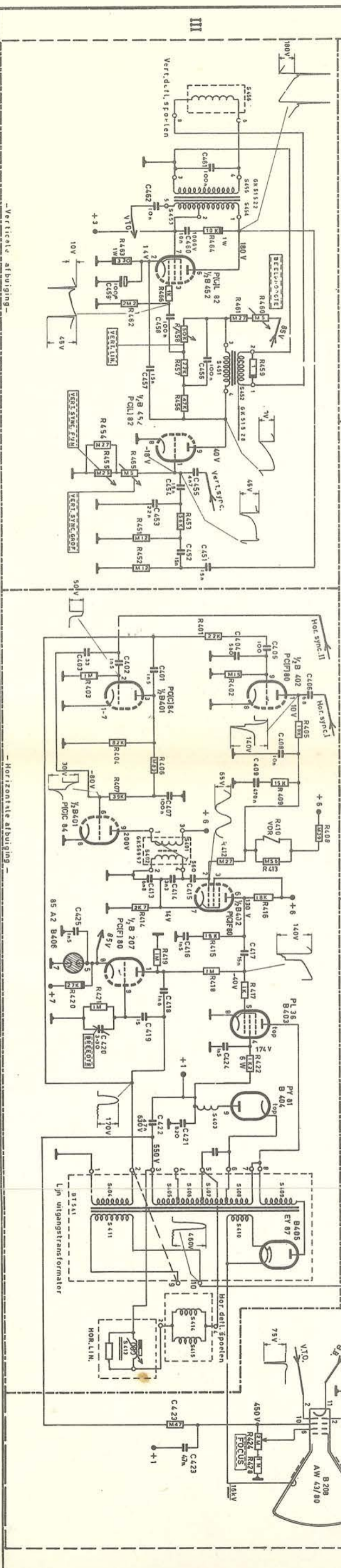
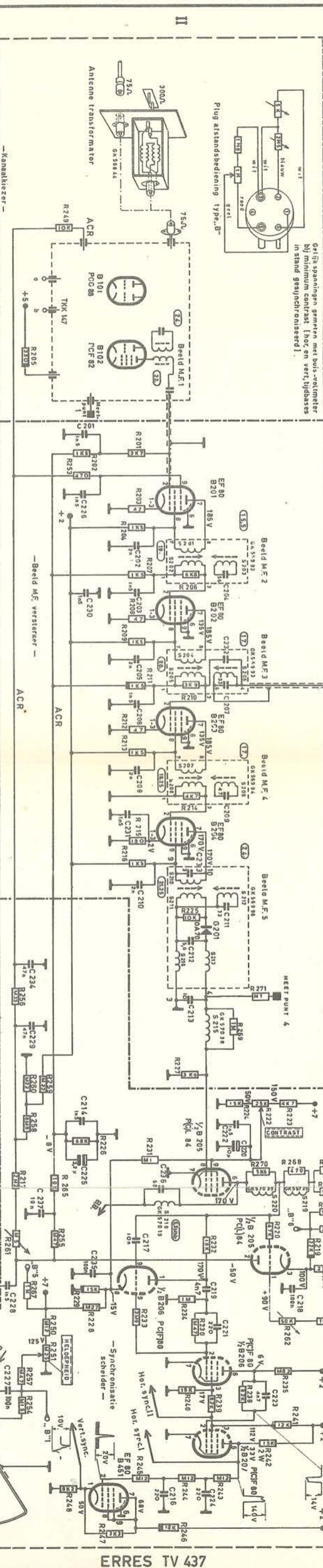
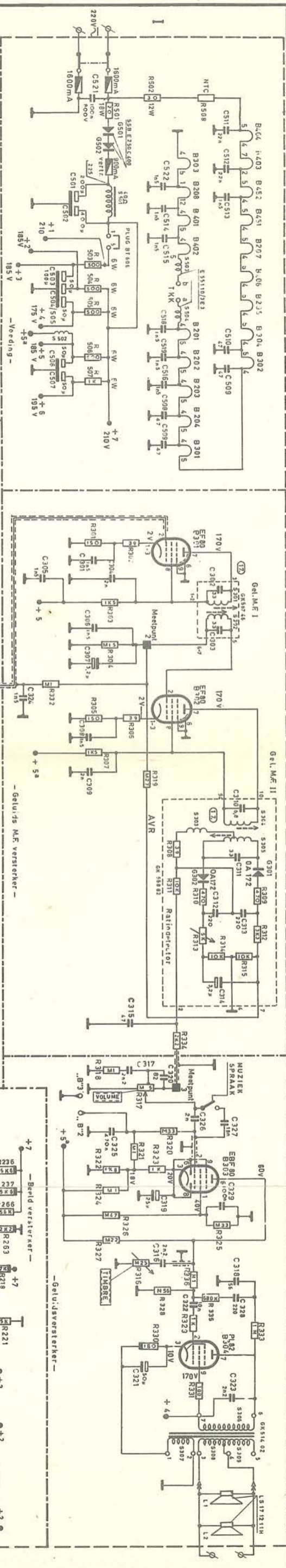
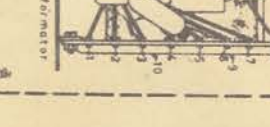
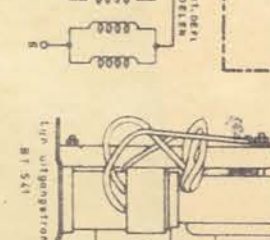
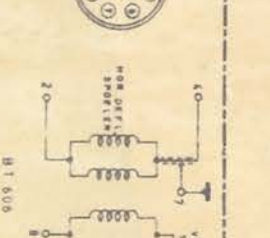
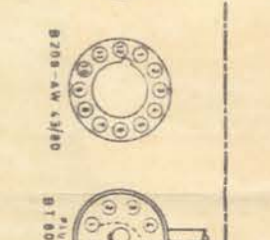
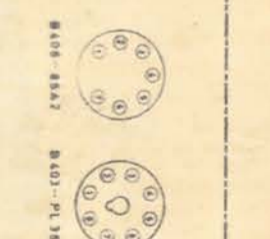
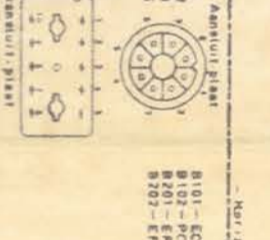
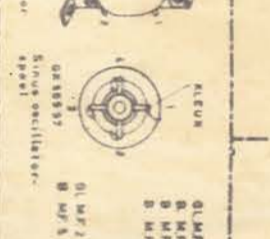
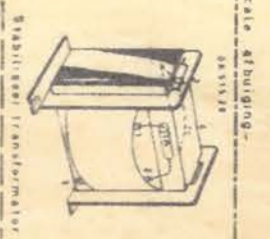
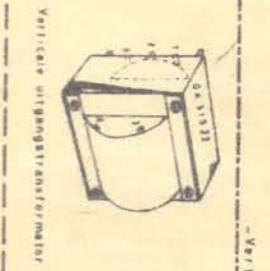
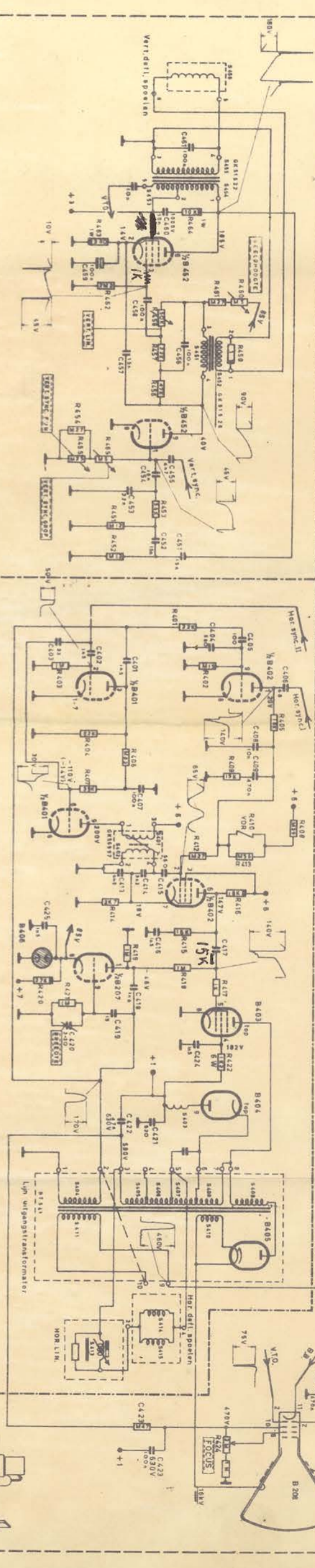
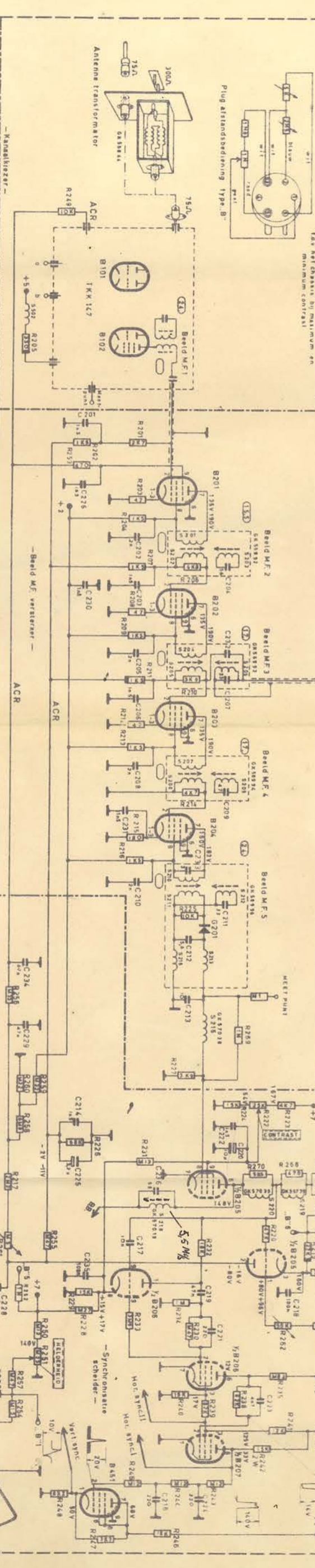
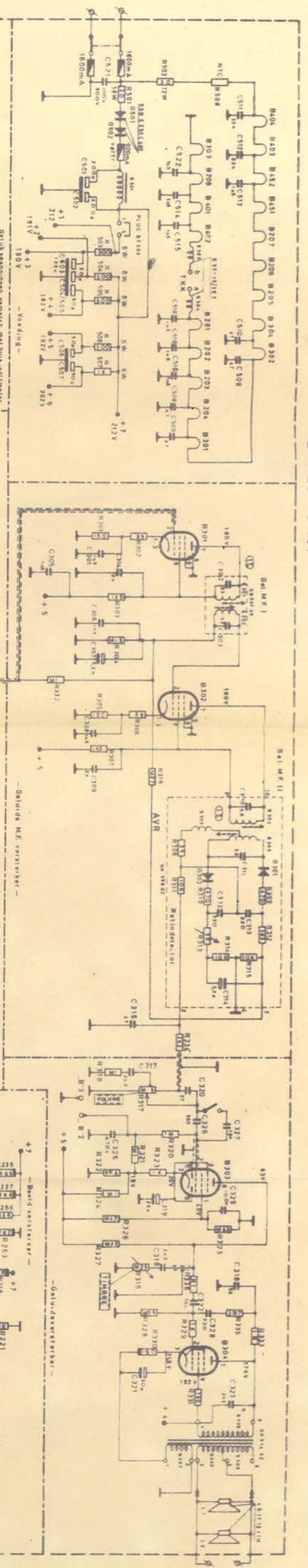


I	S	501	503	504	502	301	302	304	305	306	307	308	309	310	311	312	313	314	315	317	320	323	324	325	326	327	328	329	330	331	321	322
C	521	511	512	522	513	515	503	504	505	506	507	508	509	510	511	512	513	514	515	517	520	523	524	525	526	527	528	529	530	531	521	522
R	508	501	502	503	504	505	506	507	508	509	510	511	512	513	514	515	517	520	523	524	525	526	527	528	529	530	531	532	533	534	535	



III	S	454	455	456	457	458	459	460	461	462	463	464	465	466	467	468	469	470	471	472	473	474	475	476	477	478	479	480	481	482	483	484	485	486	487	488	489	490	491	492	493	494	495	496	497	498	499	500
C	454	455	456	457	458	459	460	461	462	463	464	465	466	467	468	469	470	471	472	473	474	475	476	477	478	479	480	481	482	483	484	485	486	487	488	489	490	491	492	493	494	495	496	497	498	499	500	
R	454	455	456	457	458	459	460	461	462	463	464	465	466	467	468	469	470	471	472	473	474	475	476	477	478	479	480	481	482	483	484	485	486	487	488	489	490	491	492	493	494	495	496	497	498	499	500	



Part list for the receiver section:

B101 - ECC48	B203 - EF 80
B102 - PCF82	B204 - EF 80
B201 - EF 80	B205 - PCF84
B202 - EF 80	B206 - PCF80
B207 - EF 80	
B208 - PCF80	
B209 - PCF80	
B210 - EF 80	
B211 - EF 80	
B212 - PCF80	
B213 - PCF80	
B214 - PCF80	
B215 - PCF80	
B216 - PCF80	
B217 - PCF80	
B218 - PCF80	
B219 - PCF80	
B220 - PCF80	

Part list for the amplifier section:

B401 - ECC48	B403 - PL 35
B402 - PCF82	B404 - AW 43/80
B403 - EF 80	
B404 - EF 80	
B405 - PCF84	
B406 - EF 80	
B407 - EF 80	
B408 - PCF80	
B409 - PCF80	
B410 - EF 80	
B411 - EF 80	
B412 - PCF80	
B413 - PCF80	
B414 - PCF80	
B415 - PCF80	
B416 - PCF80	
B417 - PCF80	
B418 - PCF80	
B419 - PCF80	
B420 - PCF80	

Part list for the deflection section:

B401 - ECC48	B403 - PL 35
B402 - PCF82	B404 - AW 43/80
B403 - EF 80	
B404 - EF 80	
B405 - PCF84	
B406 - EF 80	
B407 - EF 80	
B408 - PCF80	
B409 - PCF80	
B410 - EF 80	
B411 - EF 80	
B412 - PCF80	
B413 - PCF80	
B414 - PCF80	
B415 - PCF80	
B416 - PCF80	
B417 - PCF80	
B418 - PCF80	
B419 - PCF80	
B420 - PCF80	

Part list for the sync section:

B401 - ECC48	B403 - PL 35
B402 - PCF82	B404 - AW 43/80
B403 - EF 80	
B404 - EF 80	
B405 - PCF84	
B406 - EF 80	
B407 - EF 80	
B408 - PCF80	
B409 - PCF80	
B410 - EF 80	
B411 - EF 80	
B412 - PCF80	
B413 - PCF80	
B414 - PCF80	
B415 - PCF80	
B416 - PCF80	
B417 - PCF80	
B418 - PCF80	
B419 - PCF80	
B420 - PCF80	

Part list for the deflection coils:

B401 - ECC48	B403 - PL 35
B402 - PCF82	B404 - AW 43/80
B403 - EF 80	
B404 - EF 80	
B405 - PCF84	
B406 - EF 80	
B407 - EF 80	
B408 - PCF80	
B409 - PCF80	
B410 - EF 80	
B411 - EF 80	
B412 - PCF80	
B413 - PCF80	
B414 - PCF80	
B415 - PCF80	
B416 - PCF80	
B417 - PCF80	
B418 - PCF80	
B419 - PCF80	
B420 - PCF80	

Part list for the sync section:

B401 - ECC48	B403 - PL 35
B402 - PCF82	B404 - AW 43/80
B403 - EF 80	
B404 - EF 80	
B405 - PCF84	
B406 - EF 80	
B407 - EF 80	
B408 - PCF80	
B409 - PCF80	
B410 - EF 80	
B411 - EF 80	
B412 - PCF80	
B413 - PCF80	
B414 - PCF80	
B415 - PCF80	
B416 - PCF80	
B417 - PCF80	
B418 - PCF80	
B419 - PCF80	
B420 - PCF80	