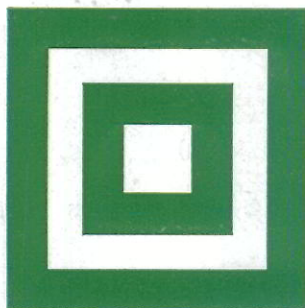
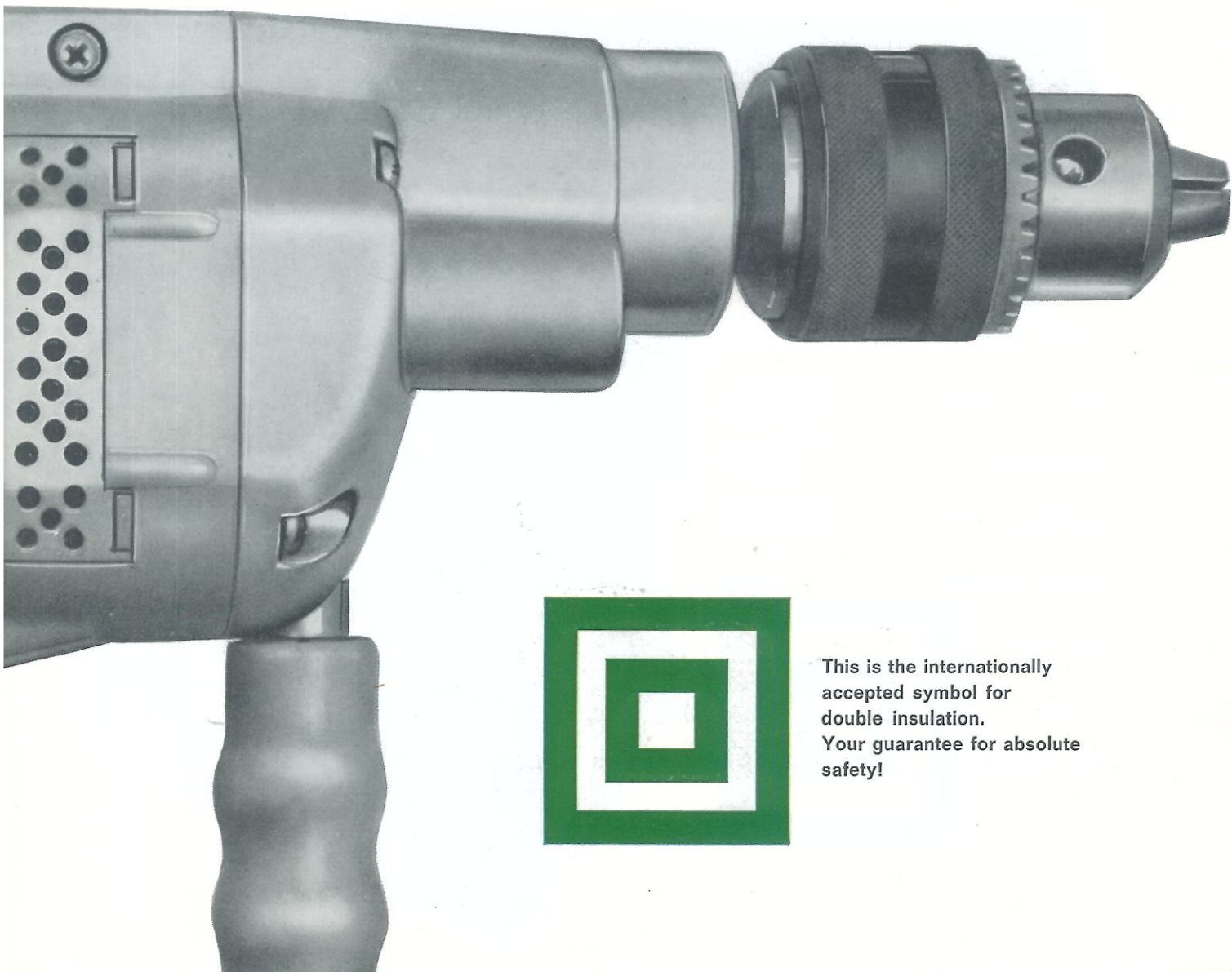




SAFE PORTABLE ELECTRIC DRILLS



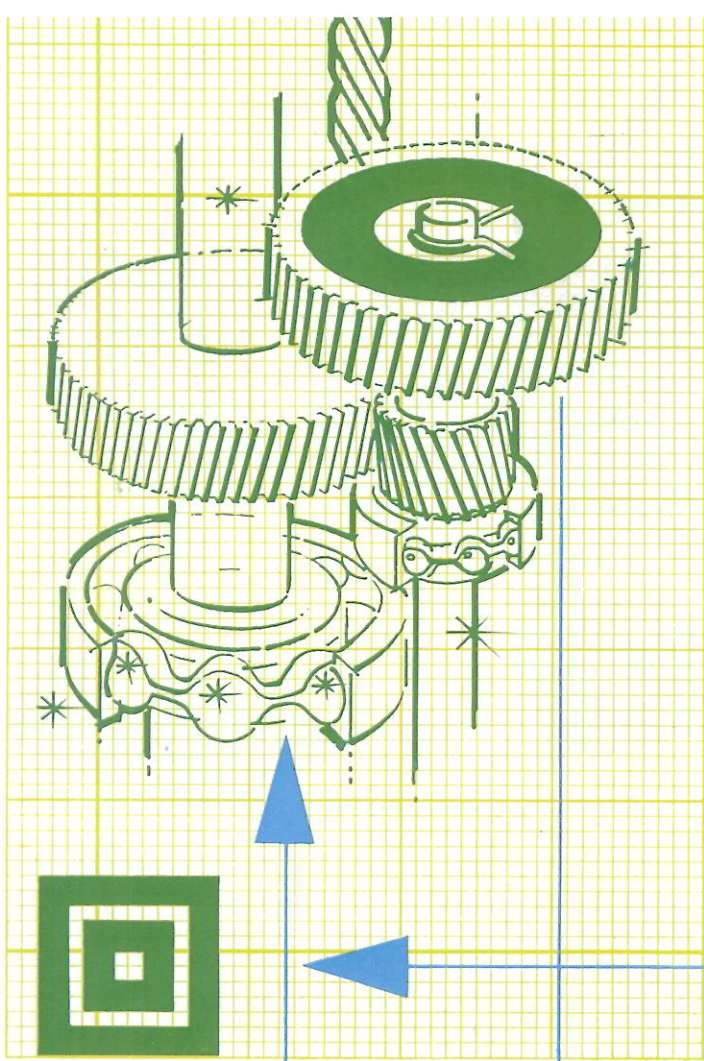
This is the internationally
accepted symbol for
double insulation.
Your guarantee for absolute
safety!



Its light weight (4½ lb) and small dimensions make this 8 mm. drill eminently suitable to be taken to the job - any job. It is small enough to fit any tool bag. The forced cooling system permits very small ports, keeping out small objects such as screws, metal parts. Needless to say this drill is absolutely safe in operation - even without earthing. All you have to do is just plug it in!



	HBM 67/01 HBM 68/01	— HBM 83	— HBM 84	HBM 103 HBM 103/01	HBM 133 HBM 133/01	— HBM 231	
With chuck spindle With conical chuck spindle							
Drilling capacity in steel	6	8	5 8	10	13	23 19	mm
Power consumption	225	240	250	340	350	500	Watt
Power output	115	130	130	195	200	320	Watt
R.P.M. at full load	1450	650	1750 820	625	450	230 375	
R.P.M. when idling	2200	1100	2380 1220	900	680	410 650	
Drill rod	B 12	B 12	B 12	B 16	B 16	MK II	
Weight	2,9 lb (1,35 kg)	4,4 lb (2 kg)	4,6 lb (2,1 kg)	8,3 lb (3,79 kg)	8,5 lb (3,87 kg)	22 lb (10 kg)	
Drill stand model	BS 6	BS 6	BS 6	BS 10/13	BS 10/13	BS 23	



**MODERN
PERFECTION**

Perfect safety

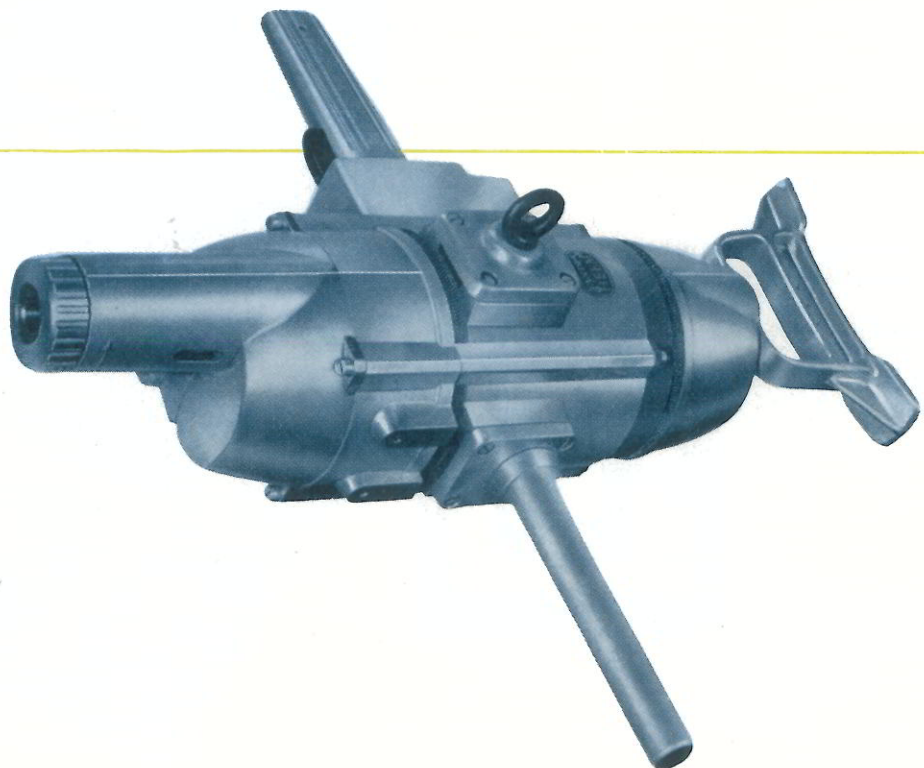
The Van der Heem drill is **absolutely safe** to work with! It is doubly insulated due to the use of plastic housings. An insulated gearwheel in the transmission mechanism ensures sufficient and lasting double insulation of the aluminium transmission case.

Van der Heem's drills are so safe in use that they comply with the strictest safety codes and ordinances - among them the C.E.E. specifications - yet require no earth! This means safety in operation in all places where a regular outlet is available.

Sound workmanship

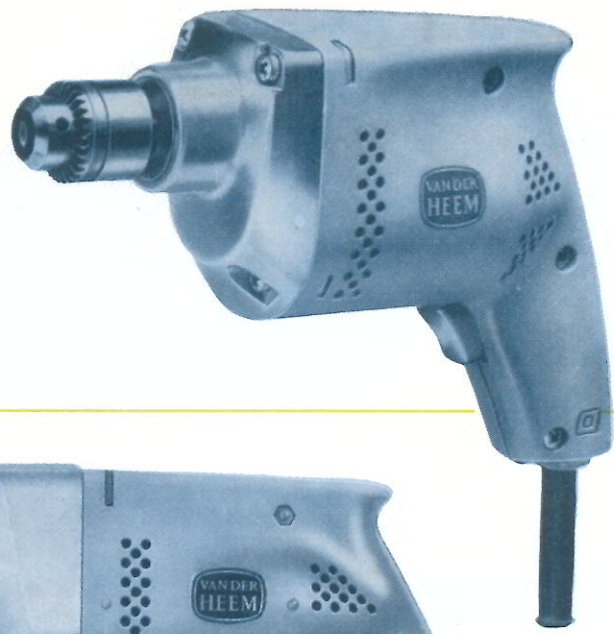
Modern technical developments give Van der Heem's drills a virtually indestructible top quality plastic housing. In the factory, the workshop or home - the Van der Heem drills will defy the roughest usage.

Many other features spell sturdiness and rigid construction. All parts rotating at high speed are carried on SKF ball-bearings - gearwheels, the spur and hub of the gearwheel, are made of hardwearing hardened chrome nickel steel. Helical gearwheels offer longer service life due to distribution of load over largest possible area, resulting in less noise. Specially impregnated armatures (araldite) and rotors suitable for continuous use. Heavy duty power cable. Consumption figures stamped on machine and in strict conformity with C.E.E. specifications. Ample cooling with small ventilation ports to prevent grindings etc. from penetrating the casing. Close drilling even alongside raised edges etc. Every drill fully suppressed for TV and radio. Corresponding drill stand available for all machines - all voltages.

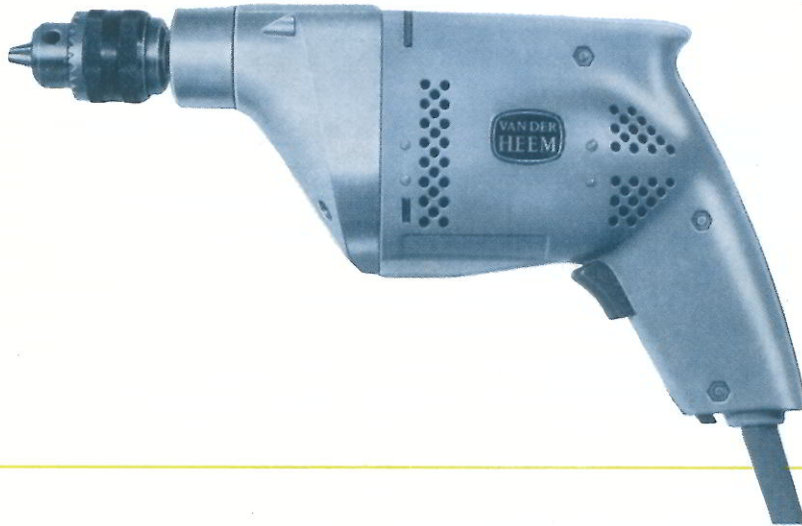


HBM 231

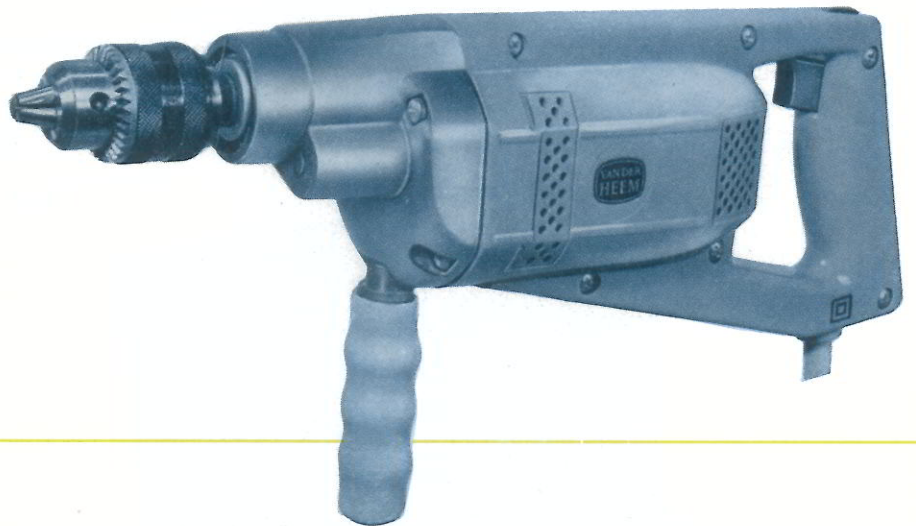
HBM 67/01
HBM 68/01



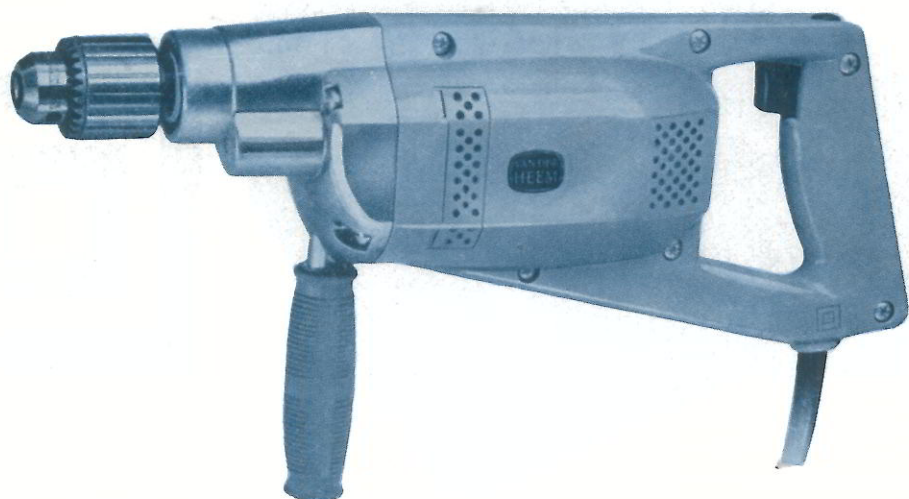
HBM 83



HBM 103
HBM 103/01



HBM 133
HBM 133/01





Start your own industrial workshop - at home!

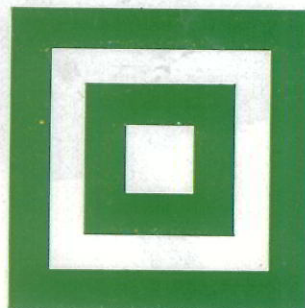
Yes - start a one-man industry in your own workshop . . . with the Heemmaster! The Heemmaster enables you to do 1001 jobs yourself - and do them faster, better and more accurately! The Heemmaster - indispensable for all do-it-yourself devotees!

The Heemmaster standard set enables you to drill, sand, polish, grind and to use a fretting drill. The power behind your own home-industry is the Heemmaster drill, the ultra-modern sturdy, double insulated and thus completely safe machine that is suitable for connection to any normal mains supply socket. Complete your Heemmaster home-industry by adding the ingeniously designed attachments. From now on you'll be manufacturing items you used to buy . . . and repairing things you used to call in an expert for. The Heemmaster standard set consists of: drill, 3 spiral bits (2, 4 and 6 mm), fretting drill, drill clamp, bench clamp, socket head wrench, flat spanner, mandrel, side handle with clamp, felt pad, cloth buffing wheel, scouring wheel, rubber wheel, lambswool pad, 9 grinding pads, wire brush, stick of polishing compound. This set is available in cardboard or wooden box.

Additional sets: drill stand, bench type drill, wood turning bench, circular saw bench, fret saw, jig saw, hedge trimmer, circular hand saw.

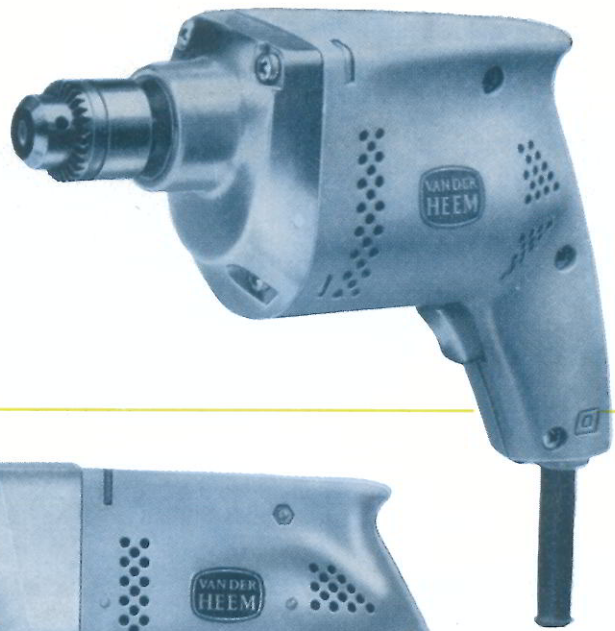


***Heemmaster...
for your
home-industry***



942

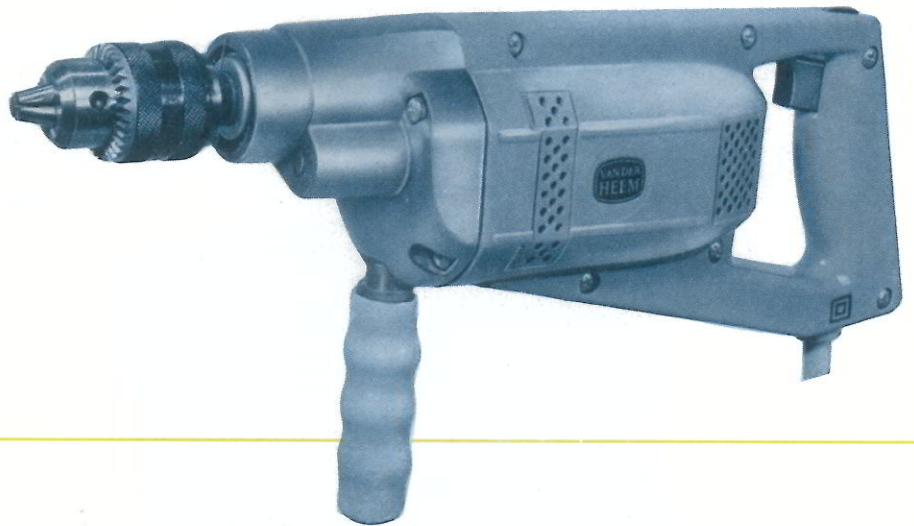
HBM 67/01
HBM 68/01



HBM 83



HBM 103
HBM 103/01



HBM 133
HBM 133/01

